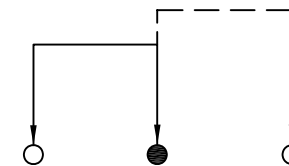
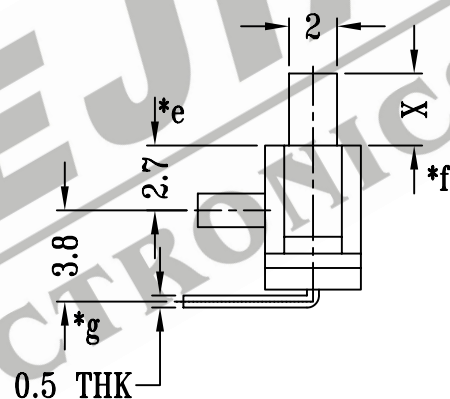
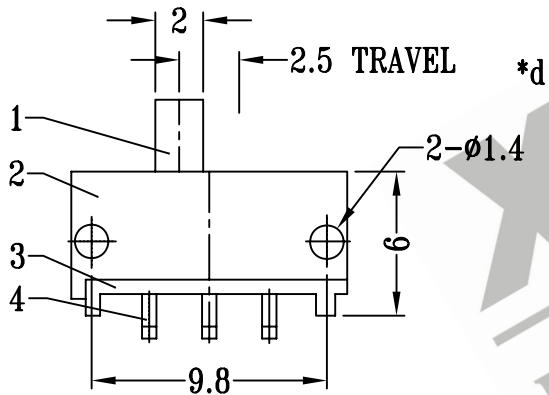
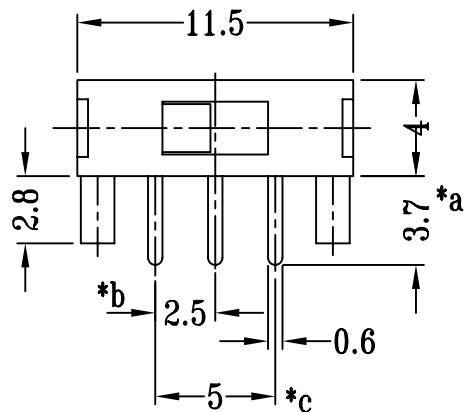
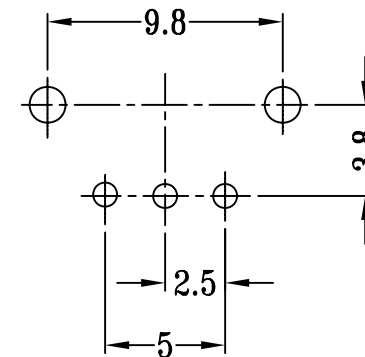


CAD FILE:



SCHEMATIC(SHORTING)



P.C.BLAYOUT

注:带"*"表示关键尺寸(7个)

8					TOLERANCE UNLESS SPECIFIED	SHENZHEN XIEJIA ELECTRONICS CO.,LTD.				
7										
6					WITHIN: 1.5±0.1mm OVER : 1.5±0.2mm	ISSUE	DATE	DESCRIPTIONS		APPD.
5	CONTACT CLIP	PBS	1	Ag CLAD						
4	TERMINAL	BRASS STRIP	3	Ag PLATED OVER Ni PLATED	TITLE : VERTICAL SLIDE SWITCH	UNIT : MM	DRWG NO.: XJ-DR-SS12E03-00			
3	CASE	POM	1	BLACK						
2	COVER	POM	1	BLACK	MODEL: SS-12E03	SCALE: 3:1	DWN.	ZHOUYU	2002-6-21	
1	KNOB	POM	1	CREY			CHK'D	FANGYING	2002-6-21	
NO.	PART NAME	MATERIAL	Q'TY	FINISHING	ALL MATERIALS MUST BE COMPLIANT TO ROHS					
					APPD.	KANGXINAN	2002-6-21			